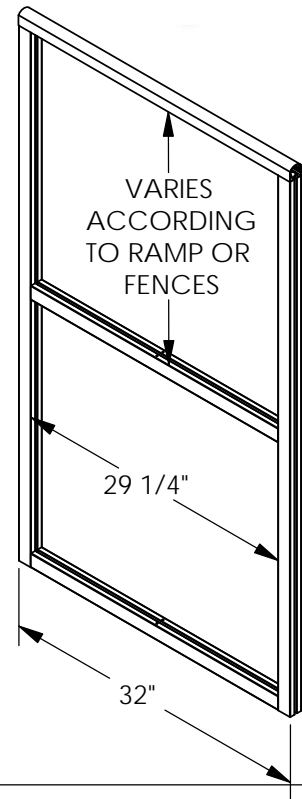
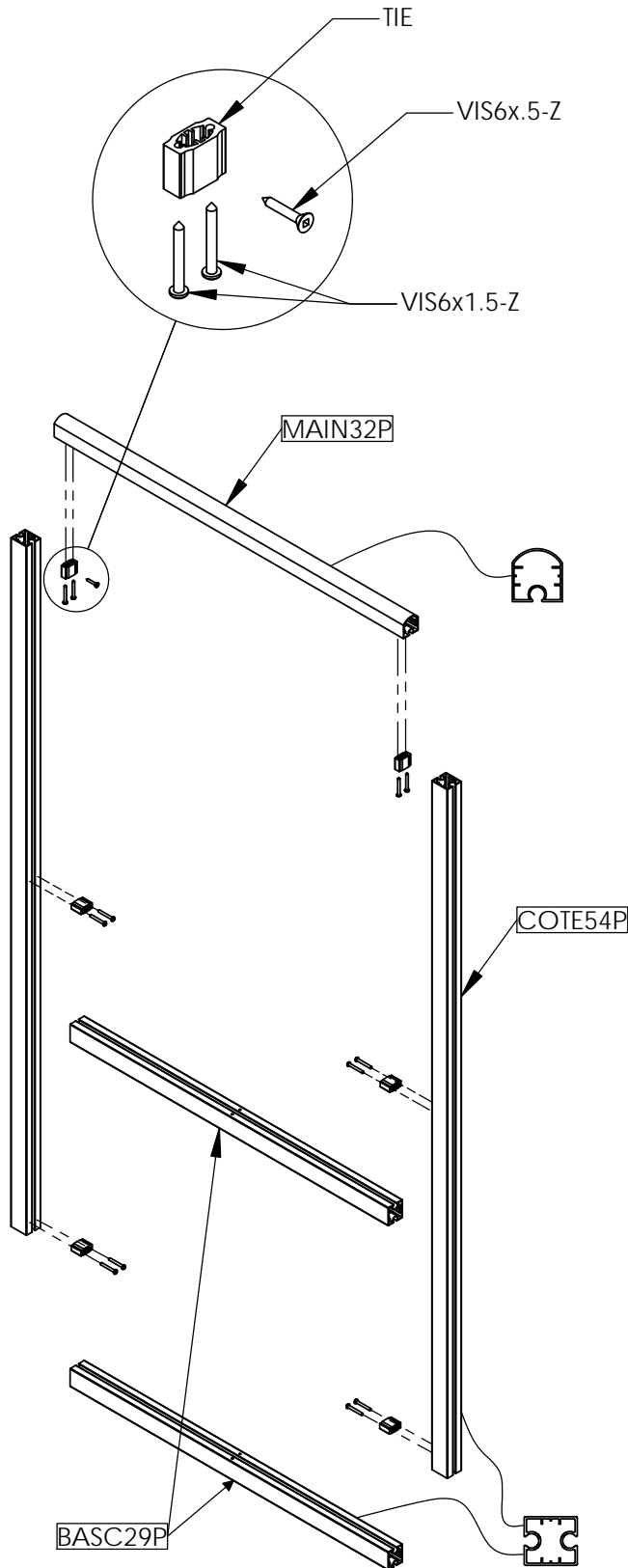
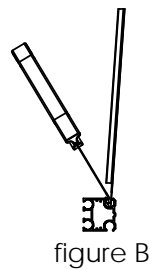
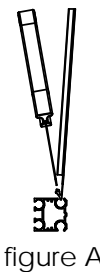


# DOOR ASSEMBLY

1- PUT A TIE ON THE BANISTER, BOTTOM RAIL AND UPRIGHTS WITH THE SCREW VIS6x1.5-Z.  
JOIN THOSE PIECES TOGETHER WITH THE SCREW VIS6x.5-Z.



Using the spatula, insert the polymer panels by pushing them deep in the groove (see figure A) and bring back the spatula toward you (see figure B).



**TIP:**  
INSERT THE BEAD IN THE TWO SIDES OF A CORNER (ABOUT 2"). DO THE OTHER CORNERS, AFTER GO FROM MIDDLE TOWARD EACH CORNERS.

The polymer panels have been cut to fit, taking into account that they will expand when they are installed. Therefore, they may seem too small at first. If necessary, heat the polymer panel's surface equally using a hair dryer.

## REMARKS:

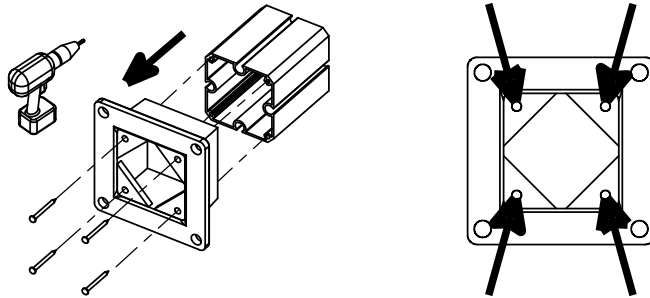
**\*DO NOT USE HEAT GUN OR DECAP GUN BECAUSE THE INTENSE HEAT COULD DAMAGE THE PANELS.**

**\*DO NOT HEAT THE POLYMER PANELS ON RAINY DAYS; THIS COULD LEAVE MARKS.**

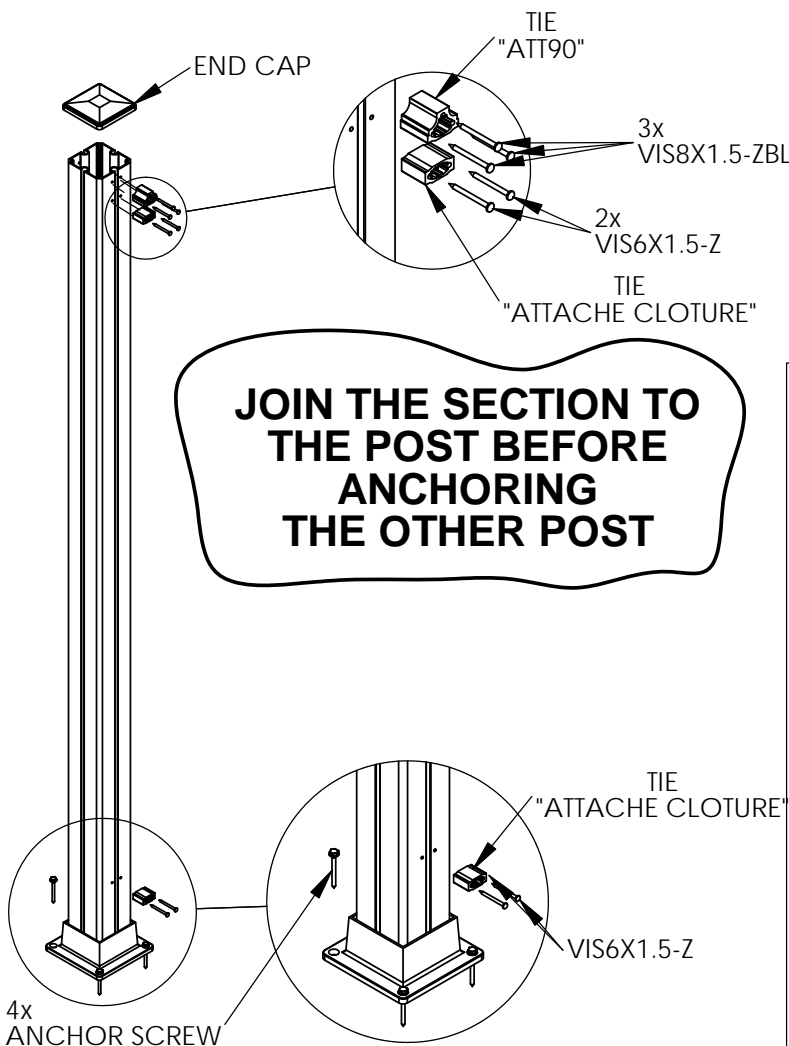
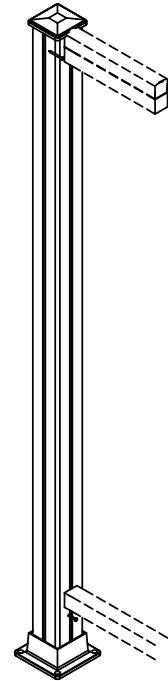
# POST

1- USE THE TEMPLATE SUPPLIED TO DRILL HOLES FOR THE TIE

2- FROM UNDER, SCREW THE POST BASE WITH 4 SCREWS #8X2-Z



drill template



**JOIN THE SECTION TO THE POST BEFORE ANCHORING THE OTHER POST**

Using the spatula, insert the polymer panels by pushing them deep in the groove (see figure A) and bring back the spatula toward you (see figure B).

figure A

figure B

**TIP:**  
INSERT THE BEAD IN THE TOP CORNER ON BOTH SIDES (ABOUT 2"). DO THE OTHER CORNERS. AFTER, GO FROM MIDDLE TOWARD EACH CORNERS.

The polymer panels have been cut to fit, taking into account that they will expand when they are installed. Therefore, they may seem too small at first. If necessary, heat the polymer panel's surface equally using a hair dryer.

**REMARKS:**

- \*DO NOT USE HEAT GUN OR DECAP GUN BECAUSE THE INTENSE HEAT COULD DAMAGE THE PANELS.
- \*DO NOT HEAT THE POLYMER PANELS ON RAINY DAYS; THIS COULD LEAVE MARKS.

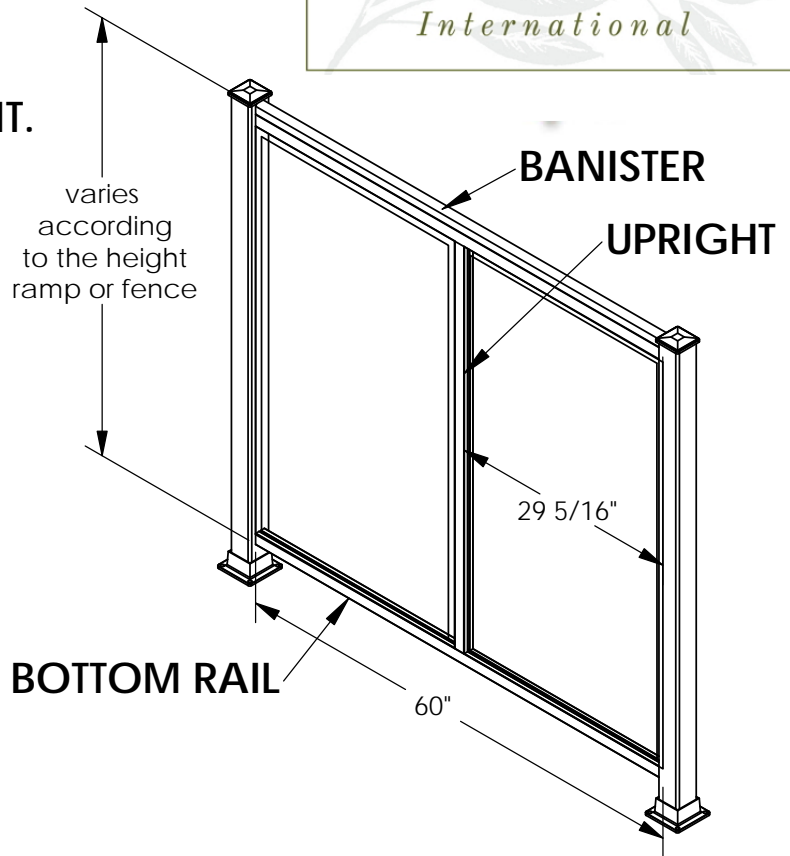
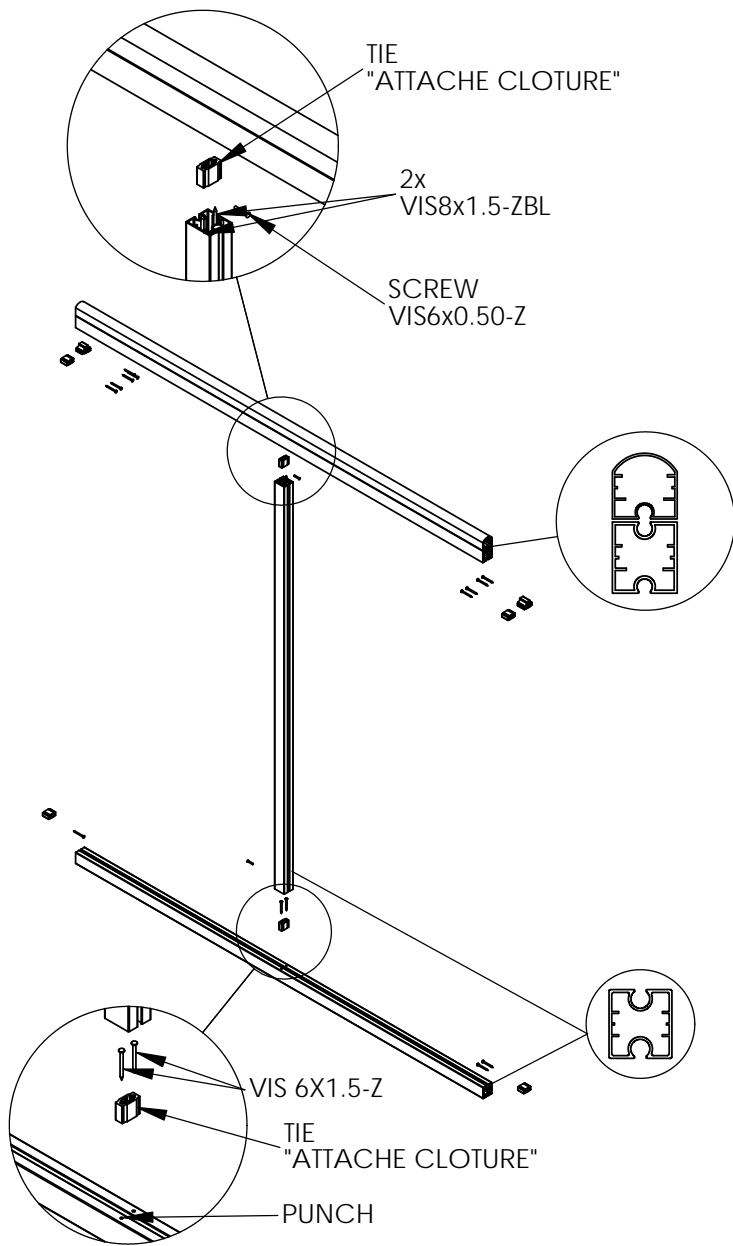
3- PUT TIES (ATTACHE CLOTURE) ON THE POST WITH THE SCREW VIS6-1.5-Z AT THE BOTTOM AND TIE "ATT90" WITH VIS8-1.5-ZBL ON TOP (SUPPLIED WITH CENTER SECTION) PUT THE END CAP

4- FIX THE BASE OF THE POST ON THE GROUND WITH THE ANCHOR SCREW.

# CENTER SECTION



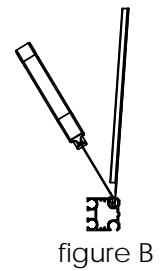
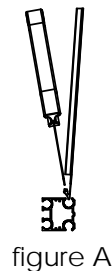
**1- DRILL BANISTER AND BOTTOM RAIL WITH  $\varnothing 1/8"$  DRILL BIT, ON PUNCH POINT.**



**2- PUT A TIE ON THE BANISTER AND THE BOTTOM RAIL WITH THE SCREW VIS6-1.5-Z. JOIN THESE PARTS WITH THE UPRIGHT. JOIN THESE PARTS TOGETHER WITH THE SCREW.**

**3- PUT THE TIE ON THE POST WITH THE SCREW VIS6-1.5-Z. JOIN THESE PARTS TOGETHER WITH THE SCREW.**

Using the spatula, insert the polymer panels by pushing them deep in the groove (see figure A) and bring back the spatula toward you (see figure B).



**TIP:**  
**INSERT THE BEAD IN THE TWO SIDES OF A CORNER (ABOUT 2"). DO THE OTHER CORNERS, AFTER GO FROM MIDDLE TOWARD EACH CORNERS.**

The polymer panels have been cut to fit, taking into account that they will expand when they are installed. Therefore, they may seem too small at first. If necessary, heat the polymer panel's surface equally using a hair dryer.

**REMARKS:**

**\*DO NOT USE HEAT GUN OR DECAP GUN BECAUSE THE INTENSE HEAT COULD DAMAGE THE PANELS.**

**\*DO NOT HEAT THE POLYMER PANELS ON RAINY DAYS; THIS COULD LEAVE MARKS.**